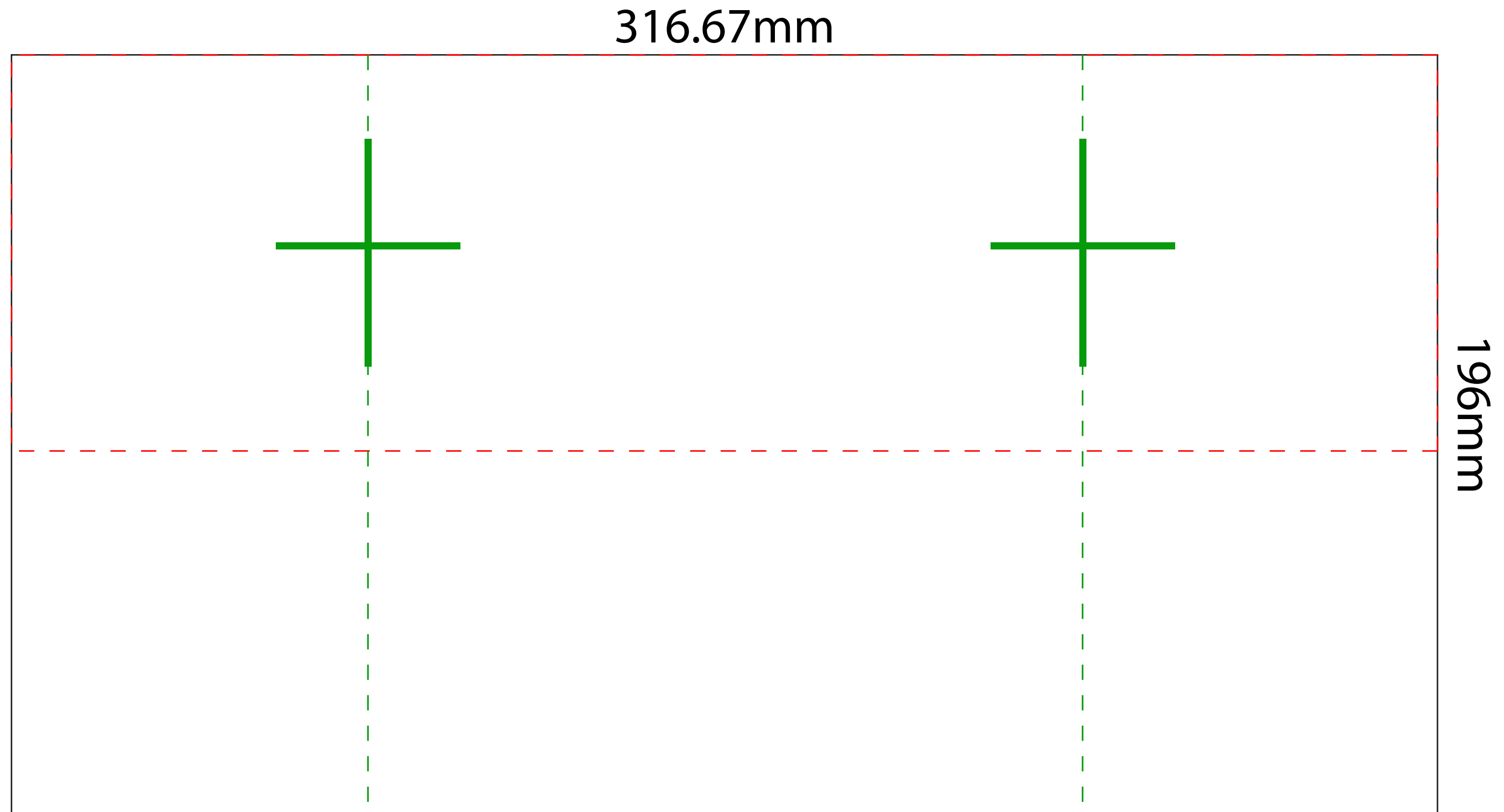


880ml Insulated Tumbler



- Fonts need to be outlined
- Raster images should be 300dpi and embedded
- Keep Logos within area marked in Red - - - - -
- Black Box indicates total print area _____